

BSB

machines and vehicles

Tel +49 (30) 52 695-544

Fax +49 (30) 52 695-546

Vulkanstraße 13

D-10367 Berlin / Germany

mail@tastytool.com

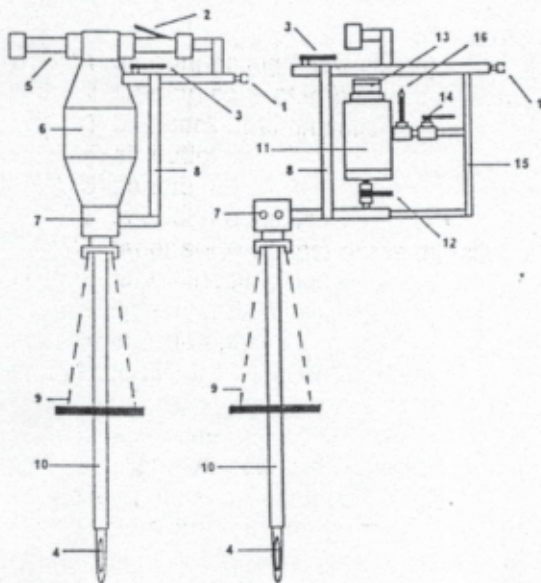
www.tastytool.com



Operating instruction Turbo-Terra-Air TTA /

Before starting please read attentive the operating instruction.

Use only original parts and spare parts of the MTM-Spindler&Schmid GmbH
The whole warranty is ending by using parts and spare parts of other producers



- 1 air connecting (claw clutch)
- 2 starting cock of impact mechanism
- 3 ball cock of air injection
- 4 air outlet
- 5 handle
- 6 impact mechanism
- 7 taper socket (pins) of the injection pipe
- 8 air connecting hose
- 9 splash protection
- 10 injection pipe
- 11 fertilizer container
- 12 ball cock (fertilizer container)
- 13 end plate
- 14 ball cock (aeration container)
- 15 air hose (aeration container)
- 16 pressure relief valve

Technical data:

	TTA	TTA II
air volume	300 l/min	450 l/min
air pressure	7 – 8 bar	7-8 bar
strikes	2.300/min	1.800/min
weight dep. pipes	ca. 6 kg	ca. 10 kg
pipe length standard	50cm/90cm	70cm/90cm
sound pressure level SLP	91,5 dB	90,5 dB
acceleration m/s ²	15 m/s ²	14 m/s ²

Before starting up the TTA / TTA II:

check all connectings and screws about correct mounting, fix them with a wrench.

All unfasten parts of the TTA / TTA II like threads and screws must be fixed with Loctite 577.

Attention:

- 1 Use ear and eye protection! Use safety shoes and helmet!
- 2 Not to use against humans, animals and energy sources (electric, gas, water).
- 3 Before starting check up the ground and operating field about ducts and cables.
- 4 About the safety regulations the Turbo-Terra-Airs has no continuous operation switch.
- 5 Use only proofed high pressure hoses (min. 20 bar) with safety connectings and proofed or permitted compressors.
- 6 While operating check up the connectings about right position.
- 7 Use only original parts of the MTM-Spindler & Schmid GmbH, otherwise there is no more warranty.

Injection pipes are parts of wear and tear which are depending at the soil (ground) condition and the material you blow into. Broken gravel (lava) works like abrasive.

BSB

machines and vehicles

Tel +49 (30) 52 695-544

Fax +49 (30) 52 695-546

Vulkanstraße 13

D-10367 Berlin / Germany

mail@tastytool.com

www.tastytool.com



Attention:

By changing the attachments all screws and threads must be fix mounted with loctite 577 before starting a new operation.

Before changing the attachment the screws and threads must be warmed up to loose them.

Practical application:

A) Aeration and removing of static water:

1. Before starting up all cocks (3) must be shut
2. Connecting the compressor hose and the air connecting (1)
3. Place the bottom (air outlet 4) of the injection pipe (10) on the ground
4. Start up the impact mechanism (6) by pressing the starting cock (2)
5. Drive in the injection pipe (10) first minimum 20 cm start up the aeration by opening the ball cock (3)
6. By opening the ball cock (3) the air stream flows into the ground. By opening the ball cock (3) slowly the air stream will be soft and controlled, by opening the ball cock (3) quick the air stream will be explosive and powerfull.
7. While driving in the injection pipe (10) aerate continuously by opening and shutting the ball cock (3) in every deep you wish
8. Stop the aeration by shutting the ball cock (3)
9. Remove the injection pipe (10) only by shut ball cock (3) to finish the application
10. A successful aeration has to be worked in overlaped areas

The Turbo-Terra-Airs can be featured with a container attachment to aerate and fertilize lasting with solid material

B) Aeration and fertilization with solid material:

1. Operation of aeration like A
2. All ball cocks (3+12+14) must be shut
3. Open the end plate (13) of the fertilizer container (11)
4. Fill in the material into the fertilizer container (11) up to 2/3 of the volume
5. Shut the fertilizer container (11) by fix shutting (press and turn) the end plate (13)
6. Open the ball cock (3) very less
7. Open the ball cock (12)
8. Open the ball cock (3) the air stream now transports the solid material into the opend soil trenches, while playing with the ball cock (3) on – off, to let the ground breathe, the grains can be transported better
By operating with light solid material the fertilizer container (11) can be aerated by opening the ball cock (14)
9. The fertilizer container (11) is empty when you can hear a whistle
10. Shut the ball cock 3
11. Shut the ball cock 14
12. Shut the ball cock 12
13. Air out the fertilizer container (11) by on and off the ball cock 12
14. Fill up the fertilizer container (11) like point 2 – 5
15. New aeration, fertilization with solid material like point 6 – 12
16. Remove the injection pipe(10) and the air outlet (4) by shut all ball cocks (2 – 3 - 14 – 12)